








IllumaGrip™ Installation Instructions
(Part #'s Standard 86436-BS/CL-XX or Spiral 86439-BS/CL-XX)
In accordance with ASTM F446 and 28CFR36, Control No: 4NU2
Patent #6592240 & 7374319

| PARTS INCLUDED: | TOOLS/PARTS NEEDED: | | | | | |
|---|---|---|--|---|---|---|
|  |  |  |  |  |  |  |
| IllumaGrip Grab Bar (86436-BS/CL-XX or 86439-BS/CL-XX) | UL Recognized Power Supply (Not Supplied) | Tape Measure | Electric Drill | Wire Nuts/Wire Crimpers | Phillips Screwdriver | Junction Box |

IllumaGrip Safety Instructions

IMPORTANT SAFETY INSTRUCTIONS. READ CAREFULLY FOR YOUR PROTECTION AND SAVE ALL INSTRUCTIONS.

- *Disconnect power before installing, adding or changing any component.
- *This power supply must be installed according to the National Electrical Code and local building codes
- *To avoid a hazard to children, account for all parts and destroy all packing materials.
- *If you are unsure about the installation or use of this power supply, consult a qualified electrician.

LOW VOLTAGE CAUTIONS

APPLICATIONS

Low voltage electronic power supplies should not be installed in areas with excessive heat around the power supply. Consult a qualified lighting designer if uncertain of the sustainability for a given application.

CAUTION: All electrical interconnection is to be performed by licensed providers to applicable NEC and local codes.

SERVICE

There are no user-serviceable parts inside. Opening unit will void warranty. Contact elio™ for service parts at 616.396.1355.

General Installation Notes

- *It is the installers' responsibility to verify that the location of the installed IllumaGrip™ is compliant with all ADA standards and regulations (www.ada.gov).
- *ITC recommends installing the IllumaGrip directly into building studs or contractor supplied blocking in accordance with ASTM F446 and 28CFR36, Control No: 4NU2 (See diagrams below for reference). Any installation other than what is recommended will be the responsibility of the installer and will void the warranty.
- *The IllumaGrip™ assist handle can also be wired to a customer provided light switch, occupancy sensor, or photo cell. Follow manufacturer's instructions for wiring the IllumaGrip™ and power supply to these special options.

IllumaGrip Warranty Information

GENERAL PRODUCT LIMITED WARRANTY

ITC Incorporated under its corporate name or the elio trade name (collectively hereafter referred to as the "Company") warrants, to the original purchaser, that the product will be free of defects in materials and/or workmanship for the period of time set forth herein. This warranty period will begin from the original date of purchase of the product. Except as set forth below, this general product limited warranty will extend for three years. All assist handles will have a three year warranty period, provided that crazing caused by chemical attack from a contaminant is not covered by any warranty. Power supplies also have a 3 year warranty.





MAXIMUM LIABILITY The Company's liability to repair or replace a damaged item shall be limited to the original purchaser of the item at the original invoice price of the damaged unit. Labor and freight will not be included. **INSPECTION** The Company reserves the right to review the damaged product and the site where the damage occurred. The Company may require the purchaser to ship the item to the Company for inspection. The damaged item must remain available for inspection until the claim is finalized. In the event the Company requests to inspect the product, it agrees to dispatch its findings pertaining to the alleged defective product within 45 days of receiving the product. Whenever claims are settled, the Company reserves the right to be subrogated under any existing insurance policies the purchaser may have.

EVENTS THAT VOID WARRANTY All above warranties are null and void if any one or more of the following events occurs: (a) the item is not provided to ITC for inspection upon the Company's request; (b) the Company determines that the item has been improperly installed, altered in any way or tampered with; (c) the Company determines that the item was not used under normal operating conditions or in accordance with labels or instructions for the item including, (d) the Company determines the product was not properly maintained, and/or; (e) the Company determines that an unauthorized repair, modification, disassembly, or other changes to the product created the alleged defect. In addition to the foregoing, this Warranty does not protect against damage to the product when the Company determines, in its sole discretion, that the damage resulted from acts of God such as lightning, flood, earthquake, war, vandalism, theft, normal-use wear and tear, terrorism, strikes, and labor stoppages. This warranty specifically excludes damage, deterioration or discoloration caused by sunlight or similar ultraviolet rays and/or wavelengths and/or dents, holes or scratches to the unit caused by stones, rocks and/or debris.

EXCLUSIVE REMEDY This Warranty contains the sole warranty of the Company with respect to the product and is given in lieu of all other warranties. There are no other warranties, express or implied, including implied warranties of merchantability or fitness for a particular purpose and any implied warranties that cannot be waived and/or excluded are hereby limited in duration to the terms of this Warranty.

LIMITATION ON LIABILITY In no event shall the Company or any affiliate of the Company be liable for direct, indirect, special, incidental, consequential, or multiple damages arising out of the use of the item, regardless of the legal theory on which such claim is based, even if the Company has been advised of the possibility of such damage. Consequential damages shall include, but are not limited to loss of profits, loss of savings or revenue.
1 Some states do not allow limitations on how long an implied warranty lasts, so the above limitation may not be applicable.

IllumaGrip Installation Instructions

| | | | |
|--|---|---|--|
| <p>1. Align the IllumaGrip in the desired mounting location, making sure the grab bar will be mounted directly to building studs or contractor supplied blocking (Refer to ASTM F446-85 for installation guidelines). Mark the holes. Pre-drill the wire access hole through the wall and locate the connection wiring.</p>  | <p>2. Wiring LEDs Mounted on Both Ends (36" & 42" versions only): Using wire crimpers, connect positive line on IllumaGrip to 18 gauge wire (supplied by customer). Using the same method, attach the negative line to another 18 gauge wire (Figure 1). Do the same connections for the other LED assembly.</p>  | <p>3. Wiring to the power supply (36" & 42" versions only): Attach positive line from left light & right light together with a customer supplied line to power supply with wire nut. Tighten wire nut completely (Figure 1).</p>  | <p>4. Wiring to the power supply (36" & 42" versions only): Repeat step 4 with neutral line (Figure 1).</p>  |
|--|---|---|--|

IllumaGrip Installation Instructions

5. Typical Class 2 power supply wiring layout. See Diagram 1 for reference.



Please note that the power supply will need to be installed in a junction box (not shown).

6. Use #8 flat head screws (customer provided) to mount the end caps and t-joint, ensuring that all excess wire has been fed back through holes. Note: The t-joint is only used with 36", 42" and 48" handles.



7. Remove the protective sleeve on the acrylic.

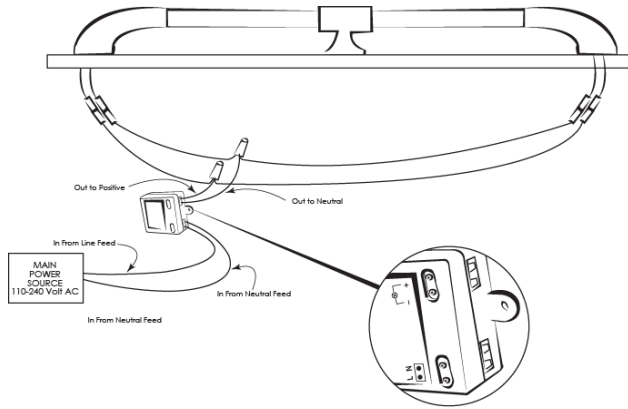


Figure 1

Note: Diagram shows LEDs mounted in both ends. If you are installing an 18" or 24" model then the LED is mounted only on one end. Multiple IllumaGrip™ safety bars can be installed to a single 12VDC power supply provided that the total amp draw does not exceed 0.4 amps



GRAB BAR IN ACCORDANCE WITH ASTM F446 AND 28CFR36 4NU2

8. This product is certified to comply with the above standard when installed in a bathing area per the installation requirements outlined in the standard. All grab bars shall be installed on the critical support area of the service or non-service wall as shown in Figures 1 -4 below. Refer to Section 5 of ASTM F446 for detailed information regarding the installation of these grab handles. **Warning:** Any installation location other than the critical support areas shown in Figures 1 - 4 is considered careless or improper and may result in injury or death.

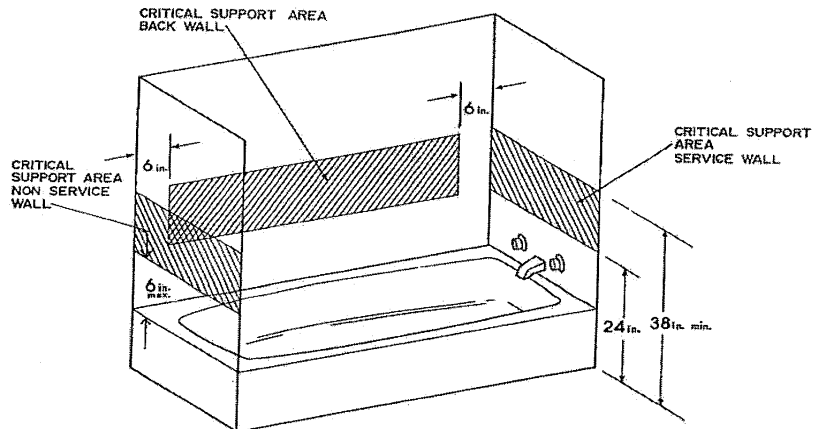


FIG. 1 Recessed Tub Bathing Area

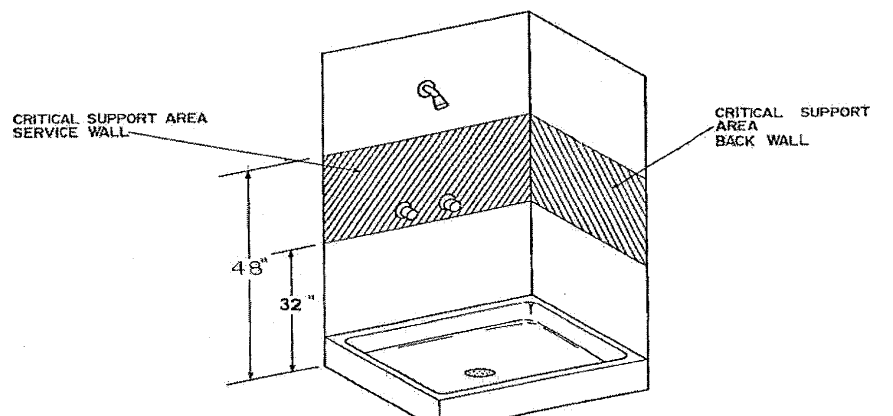


FIG. 3 Two-Wall Stall Shower Bathing Area

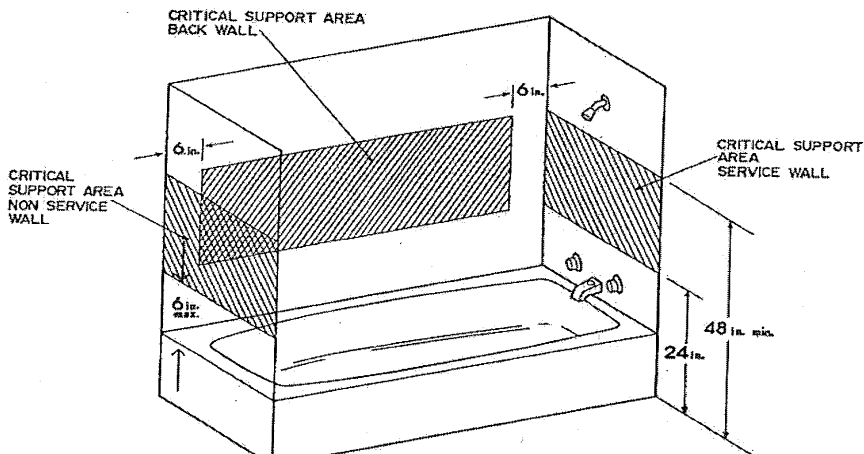


FIG. 2 Recessed Tub-Shower Bathing Area

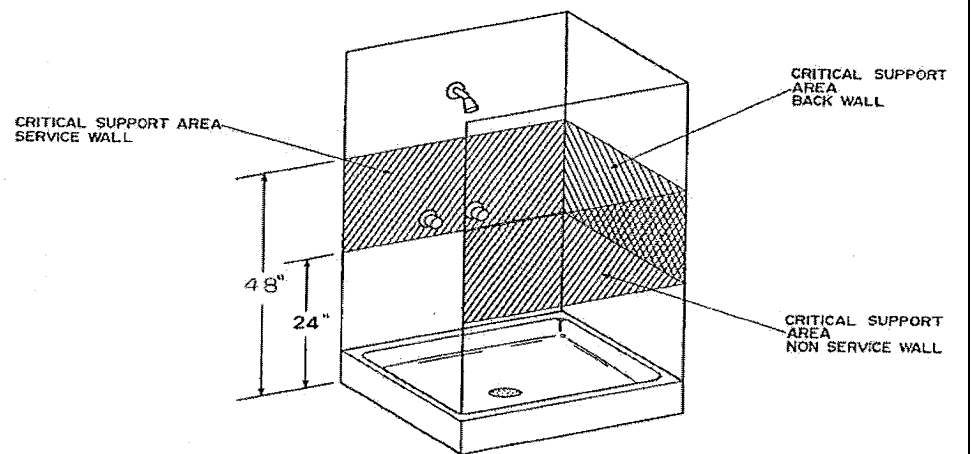


FIG. 4 Three-Wall Stall Shower Bathing Area