

Backlit LED Digital Dimmer

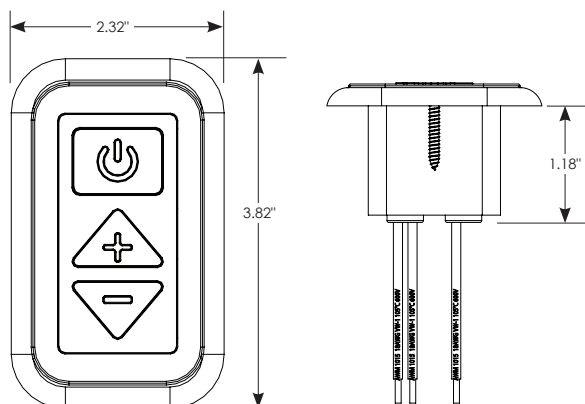
Features

- 10-24V DC dimmer can handle up to 100 watts.
- UL, CSA, & FCC compliant.
- LED backlit night light on power button until turned on
- Separate power switch allows for maintaining desired dim level
- Works with LED and halogen fixtures
- Styling, size & depth designed for RV applications
- Dimming range 20% to 100%
- Finish options include white dimmer with white bezel, or black dimmer with black and nickel bezels
- Simple 3 wire installation (see Fig. A)

Product Details

Housing	UV Stable ABS Plastic
Input Voltage	10-24V
Current	Min: 1.0A Max: 8.3A @12V DC
Max Wattage	100W
Thermal Protection	105°C ± 5°C
Frequency	160 Hz

Product Dimensions



Part Numbers:

21030-BKBNBK	Black Dimmer with Black and Nickel Bezels
21030-WHWH	White Dimmer with White Bezel



21030-BKBNBK



21030-WHWH

Wiring Diagram

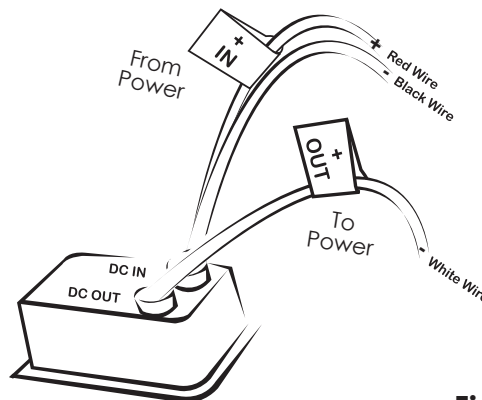


Fig. A