



Backlit LED Digital Dimmer

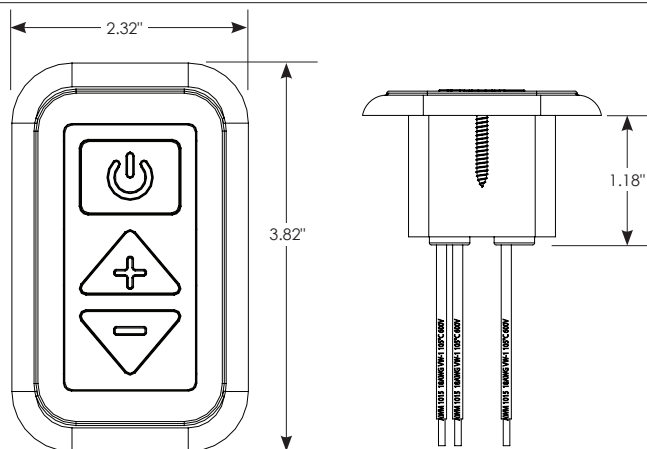
Features

- 10-24V DC dimmer can handle up to 120 watts.
- UL, CSA, & FCC compliant.
- LED backlit night light on power button until turned on
- Separate power switch allows for maintaining desired dim level
- Works with LED and halogen fixtures
- Styling, size & depth designed for RV applications
- Dimming range 20% to 100%
- White and black finish options available
- Simple 3 wire installation (see Fig. A)

Product Details

Housing	UV Stable ABS Plastic
Input Voltage	10-24V
Current	Min: 1.0A Max: 9.5A @12V DC
Max Wattage	120W
Thermal Protection	105°C ± 5°C
Frequency	160 Hz

Product Dimensions



Part Numbers	Options
21030-W	White
21030-B	Black
21030-B/NI	Nickel Bezel with Black Buttons
21030-B/TF	Truffle Bezel with Black Buttons



21030-W

Wiring Diagram

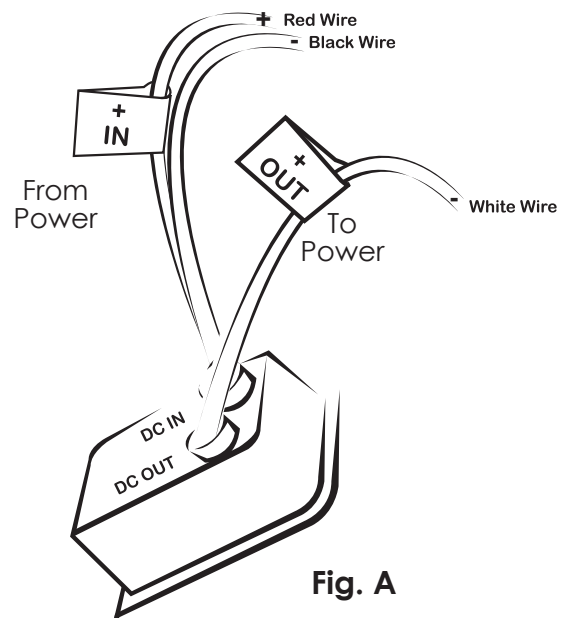


Fig. A

