



Vega - Max Lumen Linear LED Light

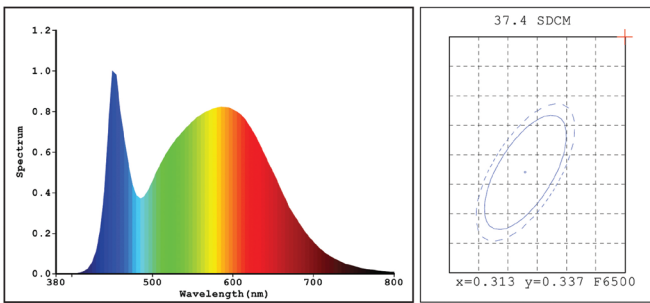
Long Linear Array with Fixed Mount End Caps

Product Details:

Housing	Aluminum Extrusion
Lens	Clear Polycarbonate
Wattage	12" : 5.4W
Voltage	24 V
Current	12" : 0.23 A
Lumens	430 lm/ft
Color Temperature	3500K & 4100K (2900K & 6500K available as special order)
Beam Angle	120°
CRI	≥80
Efficacy	67 lm/w
Max Daisy Chain = 20 Feet* (Also limited by max wattage of power supply or 5 amps total).	

Spectrophotometer Test Report

Test results for the 690240.24.41.24



Color Parameters

Chromaticity Coordinate: X=0.3640 Y=0.3687/u'=0.2174
v'=0.4956 Tc=4427K

Photo Parameters

Flux: 788.72 lm Efficacy: 67.16 lm/w

Electrical Parameters

Luminaire: U=24.00V I=0.49A P=11.76W PF=1.000

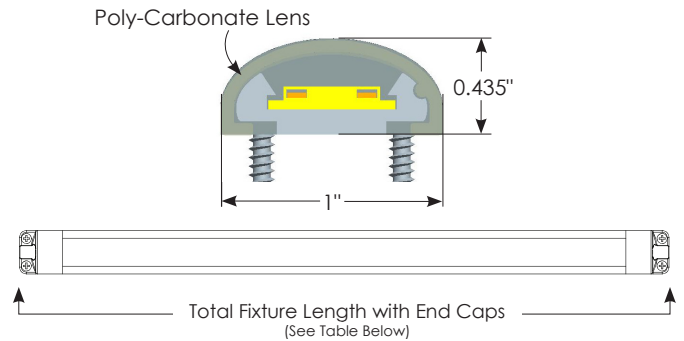
Part Numbers:

690210.LL.XX.24

[LL = Length | XX = Color Temperature]



Product Dimensions:



LED Strip Sizes	Actual Length with End Caps	
	Standard End Cap (Each End Cap Adds 1")	Magnetic End Cap Part# 690170 (Each End Cap Adds 1.65")
12"	14.9"	16.2"
18"	20.9"	22.2"
24"	26.9"	28.2"
30"	32.9"	34.2"
36"	38.9"	40.2"
42"	44.9"	46.2"
48"	50.9"	52.2"

Mounting Options:

[See End Cap Literature for Full End Cap Details]

Standard Screw Down
End Caps



DIMS: 1" L x 1" W x 0.43" H

Optional Magnetic
End Caps

Part Number: 690170



DIMS: 1.65" L x 1.12" W x 0.6" H

FC | CE | RoHS | cUL US LISTED | IP64

Power Supply options - See Power Supply Literature



230 E. Lakewood Blvd. • P.O. Box 8338 • Holland • MI • 49422-8338

Phone: 616-396-1355 • Fax: 616-396-1152 • www.itc-cruise.com • sales@itc-us.com

REV | 11.10.14