



MR16 LED - High Output

Product Details:

Housing	Aluminum - chrome plated
Lens	ABS
Voltage w/out LED Power Supply	12-24V DC
Current	0.34A @ 13.6V
Wattage	4.4W
Lumens	293
Beam Angle	Spot: 27° Flood: 41°
Efficacy	64 lm/w @ 13.6V DC
LED Color Temperature	3500K or 4100K ±245K binning tolerance
CRI	>80

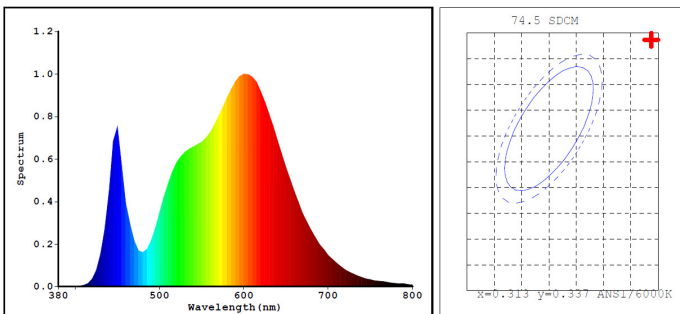
Part Numbers:

MR16F35	3500K FLOOD
MR16F41	4100K FLOOD
MR16S35	3500K SPOT
MR16S41	4100K SPOT



Spectrophotometer Test Report

Test results for the MR16F-35



Color Parameters

Chromaticity Coordinate: X=0.4132 Y=0.3932/u'=0.4132
v'=0.3932 Tc=3354K

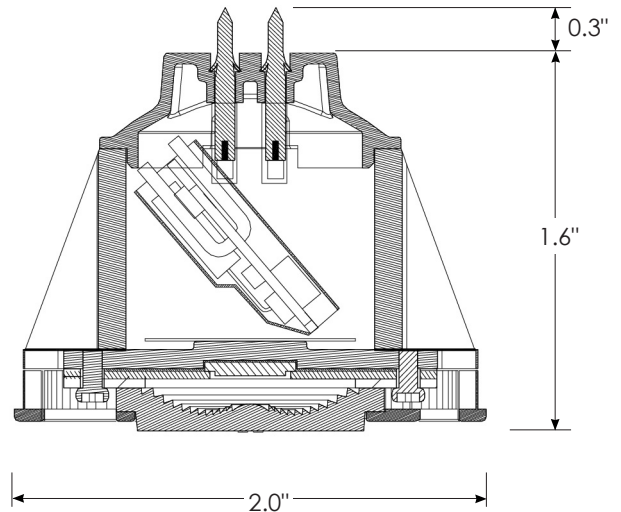
Photo Parameters

Flux: 292.90 lm Efficacy: 63.74 lm/w

Electrical Parameters

Luminaire: U=13.60V I=0.3379A P=4.595W PF=1.000

Product Dimensions:



230 E. Lakewood Blvd. • P.O. Box 8338 • Holland • MI • 49422-8338
Phone: 616-396-1355 • Fax: 616-396-1152 • www.itc-us.com • sales@itc-us.com