



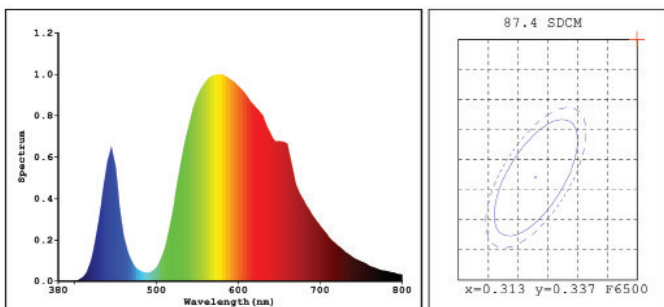
# Radiance™ LED Overhead Light

## Product Details

Housing	Aluminum, white powder coated
Lens	Borosilicate Frosted Glass
Diameter	4.75" without power supply
Cutout Diameter	3-5/8" hole saw
Wattage	10W
Voltage: DC Version	10-28V DC
AC Version	110-240V AC
Integral Switch	No
LED Color Temperature	3500K
Light Output	310 Lumens
CRI	70
Wire Size	18 AWG
Mounting	Spring Clips
Efficacy	30Lm/watt DC Version @ 12V DC

## Spectrophotometer Test Report

Test results for the 69233J-220



### Color Parameters

Chromaticity Coordinate:  $X=0.4314$   $Y=0.4066$   $u'=0.2459$   
 $v'=0.5216$   $Tc=3116K$

### Photo Parameters

Flux: 305.08 lm Efficacy: 31.98 lm/w

### Electrical Parameters

Luminaire: U=220V I=0.5170A P=7.541W PF=1.000

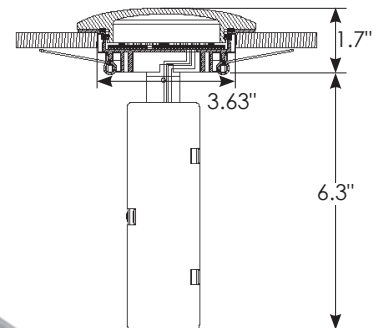
**Part Numbers**

69233  
69233J-220

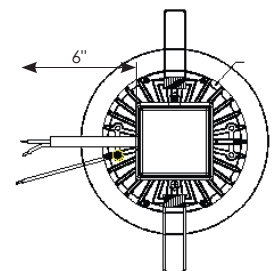
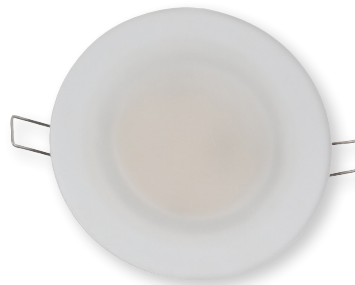
DC Version  
AC Version



110-240V AC Version  
**Part # 69233J-220**



10-28v DC Version  
**Part # 69233**



FC | CE | RoHS | ETL  
Patent # 7,322,722 B2



230 E. Lakewood Blvd. • P.O. Box 8338 • Holland • MI • 49422-8338  
 Phone: 616-396-1355 • Fax: 616-396-1152 • www.itc-us.com • sales@itc-us.com