



4 Watt MR16 LED Overhead Fixture

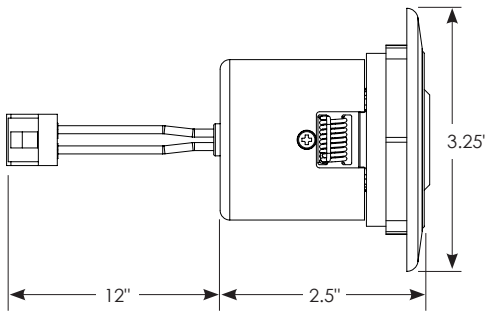
Features:

- Fixture designed for ITC MR16 LED
For full MR16 lamp technical information, see MR16 technical data sheet.
- Fits 2.25" or 2.75" mounting hole
- Use DC version with remote power supply
- Contact ITC for information on AC version
- Easy lamp access from front side of fixture
- Power saving LED technology
- Long life - 50,000 hours

Product Details:

Housing	CRS Black Powder Coated
Bezel	304 Brushed Stainless Steel
Cutout	2.25" or 2.75"
Voltage	10-30V DC (without power supply) 100-240V AC (with power supply)

Product Dimensions



For use with
elio® MR16 LED
(Sold Separately)



See MR16 technical data sheet for full product details.

Part Numbers:

69817-BS	Brushed Stainless Steel
69817-SS	Polished Stainless Steel*
69817-BK	Black
69817-BR	Brass*

[*Special Order Only]



Application:



Elevator Lobby Lighting

